

Light electric Vehicle

LiFePO₄ Battery



Shandong **NewPowerNewEnergy** Technology Co., Ltd.

NPNE is a professional manufacturer of lithium iron phosphate battery PACK. We focus on all aspects of production, from supplier selection, product design, to module production, to battery pack assembly, testing and so on. And ensure product traceability. NPFT series are 48V/60V/72V series lithium iron phosphate batteries. It is suitable for light electric vehicles - electric two wheeled, electric motorcycle, electric three

Tel: 0632-8671908 Mail: lester@npnebattery.com Web: www.npnebattery.com

Features

Longer Cycle Life:

Compared with lead-acid battery, the cycle life of 8-year battery is 6 times longer.

With bluetooth:

It has the function of communication and can connect the mobile phone with Bluetooth. (conventional products do not include Bluetooth)

Higher Power:

Delivers twice power of lead acid battery, even higher discharge rate. Also can sustain higher charge current and shorten the charge time.

Environment friendly:

LiFePO₄ battery does not contain any toxic or harmful substances, and is environmentally friendly in both production and use. Now it is widely accepted by more and more people.

Direct replacement of lead acid batteries:

If the original battery voltage is 48V series, it can be directly replaced, and the charger needs to use professional lithium iron phosphate battery charger.

Lighter weight:

It is equivalent to 40% of the weight of lead-acid battery, which is convenient for handling, taking and placing.

Support custom:

If you have other requirements, such as color, size, heating function, GPS, etc., we will provide a more professional services.

Super safety:

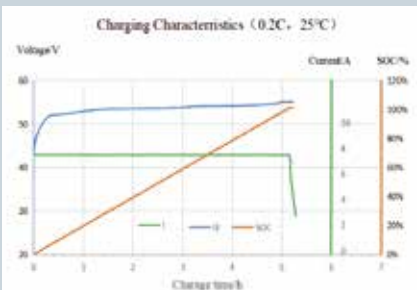
The olivine structure of lithium iron phosphate material is eliminated fundamentally the risk of explosion or combustion due to high temperature impact, overcharged or short circuit situation. Besides, BMS protection ensures safe and efficient operation.



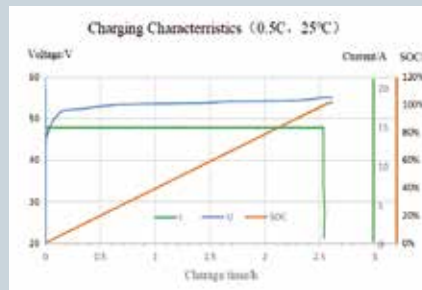
Product parameter list

Model	Voltage (V)	Capacity(Ah)	Energy(Wh)	Charge Current(A)	Approximate range current(A)	Dimensions (mm)	weight (Kg)	Terminal
NPFT48-12	48	12	576	< 6	20-30	280*160*185	8.5±0.5	Pin plug
NPFT48-16	48	16	768	< 8	30-40	280*160*185	9.0±0.5	Pin plug
NPFT48-20	48	20	960	< 10	40-60	280*200*185	12.0±0.5	Pin plug
NPFT48-28	48	28	1344	< 15	50-70	280*250*185	14.5±0.5	Pin plug
NPFT48-32	48	32	1536	< 14	60-80	280*280*185	17.0±0.5	Pin plug
NPFT48-40	48	40	1920	< 20	80-90	320*280*185	20.0±0.5	Pin plug
NPFT48-52	48	52	2496	< 20	90-100	420*280*185	25.0±0.5	Pin plug
NPFT60-20	60	20	1200	< 10	60-80	360*200*185	14.5±0.5	Pin plug
NPFT60-32	60	32	1920	< 15	80-100	360*280*185	20.5±0.5	Pin plug
NPFT60-40	60	40	2400	< 20	100-120	360*320*185	25.0±0.5	Pin plug
NPFT60-52	60	52	3120	< 20	120-150	420*360*185	31.5±0.5	Pin plug
NPFT72-20	72	20	1440	< 10	80-100	400*200*185	16.5±0.5	Pin plug
NPFT72-32	72	32	2304	< 15	100-120	400*280*185	24.0±0.5	Pin plug
NPFT72-40	72	40	2880	< 20	120-150	400*320*185	30.0±0.5	Pin plug
NPFT72-52	72	52	3744	< 20	150-180	420*400*185	38.0±0.5	Pin plug

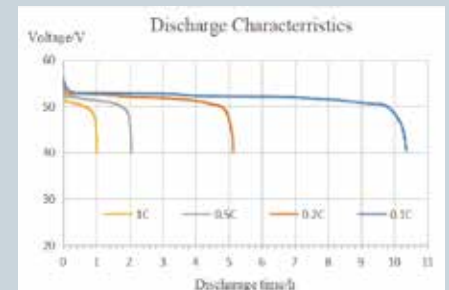
Technical characteristic curve



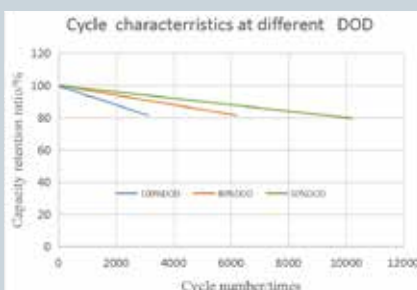
Charging characteristic 0.2C



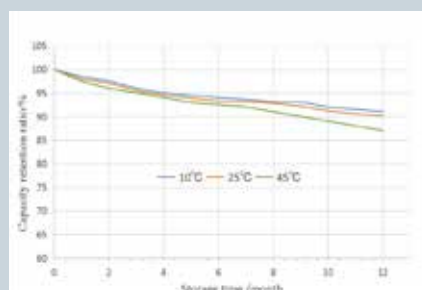
Charging characteristic 0.5C



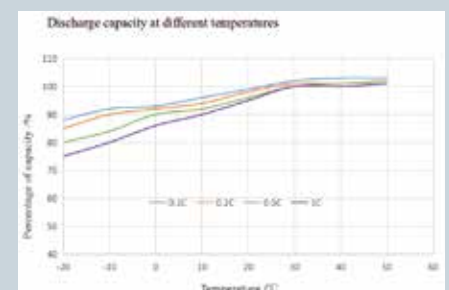
Discharge characteristics



Cycle performance



Self-discharge characteristics

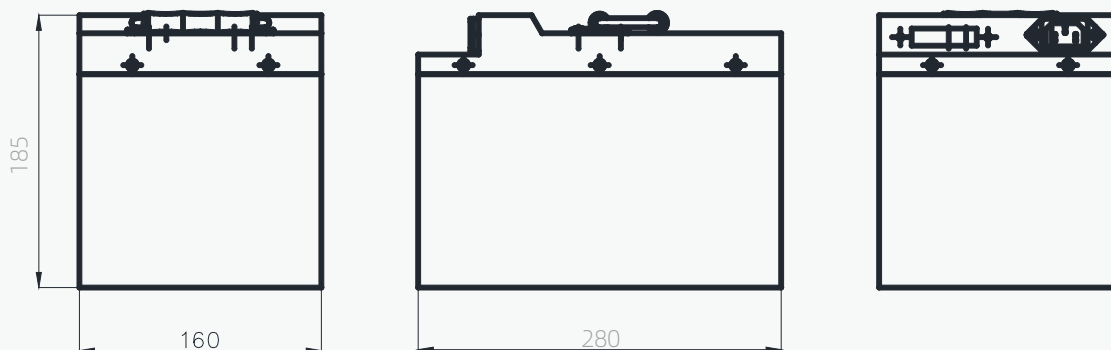


Different temperature capacity

NPFT48-12



Dimensions(mm)



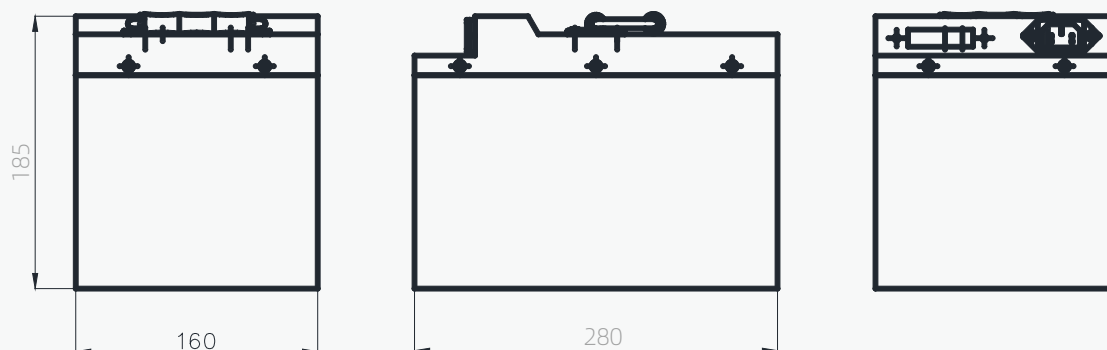
Specification

LiFePO ₄ Battery		Model: NPFW48-12	
Electrical Characteristics	Nominal Voltage	48V	
	Nominal Capacity	12Ah @0.2C	
	Energy	576Wh	
	Internal Resistance(AC)	180mΩ	
	Cycle Life	≥3,000@0.2C (100%DOD) ≥6,000@0.2C (80%DOD) ≥10,000@0.2C (50%DOD)	
	Monthly Self Discharge	≤2%	
	Protection Function	Over charge protection, Over discharge protection, Temperature protection, Short-circuit protection, Balanced function	
Standard Charge	Charge Voltage	54.8±0.2V	
	Charge Mode	CC/CV	
	Charge Current	3A	
	Max.Charge Current	6A	
Standard Discharge	Continues Current	12A	
	Max. Pulse Current	60A(≤3S)	100A(≤1S)
	Discharge Cut-off Voltage	37.5V	
Environmental	Charge Temperature	0°C-55°C	
	Discharge Temperature	-20°C-60°C	
	Storage Temperature	-20°C-45°C	
	IP Class	IP65	
Other parameters	Dimension(L*W*H)	(280±3) mm* (160±2)mm* (185±2)mm	
	Weight	8.5±0.5Kg	
	Material of case	<input type="checkbox"/> ABS plastic	<input checked="" type="checkbox"/> Metal
	Colour	<input checked="" type="checkbox"/> Black	<input type="checkbox"/> Gray
	Terminal	Pin plug	

NPFT48-16



Dimensions(mm)



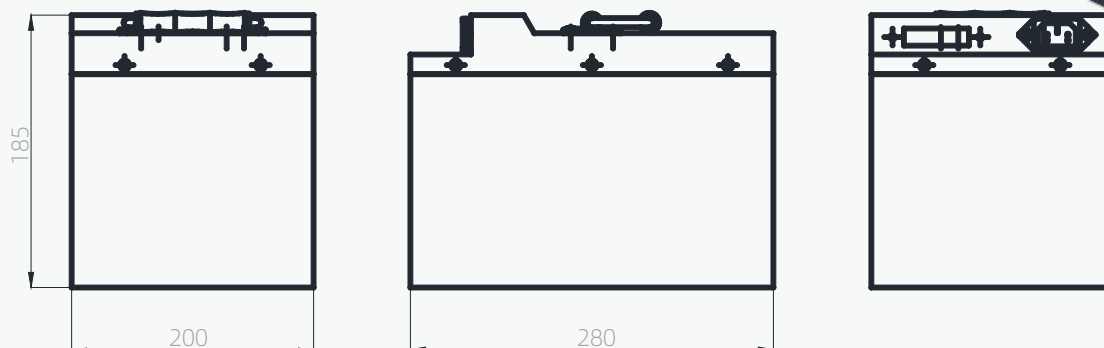
Specification

LiFePO ₄ Battery		Model: NPFW48-16	
Electrical Characteristics	Nominal Voltage	48V	
	Nominal Capacity	16Ah @0.2C	
	Energy	768Wh	
	Internal Resistance(AC)	130mΩ	
	Cycle Life	≥3,000@0.2C (100%DOD) ≥6,000@0.2C (80%DOD) ≥10,000@0.2C (50%DOD)	
	Monthly Self Discharge	≤ 2%	
	Protection Function	Over charge protection, Over discharge protection, Temperature protection, Short-circuit protection, Balanced function	
Standard Charge	Charge Voltage	54.8±0.2V	
	Charge Mode	CC/CV	
	Charge Current	3A	
	Max.Charge Current	8A	
Standard Discharge	Continues Current	16A	
	Max. Pulse Current	60A(≤3S)	100A(≤1S)
	Discharge Cut-off Voltage	37.5V	
Environmental	Charge Temperature	0°C-55°C	
	Discharge Temperature	-20°C-60°C	
	Storage Temperature	-20°C-45°C	
	IP Class	IP65	
Other parameters	Dimension(L*W*H)	(280±3) mm* (160±2)mm* (185±2)mm	
	Weight	9.0±0.5Kg	
	Material of case	<input type="checkbox"/> ABS plastic	<input checked="" type="checkbox"/> Metal
	Colour	<input checked="" type="checkbox"/> Black	<input type="checkbox"/> Gray
	Terminal	Pin plug	

NPFT48-20



Dimensions(mm)



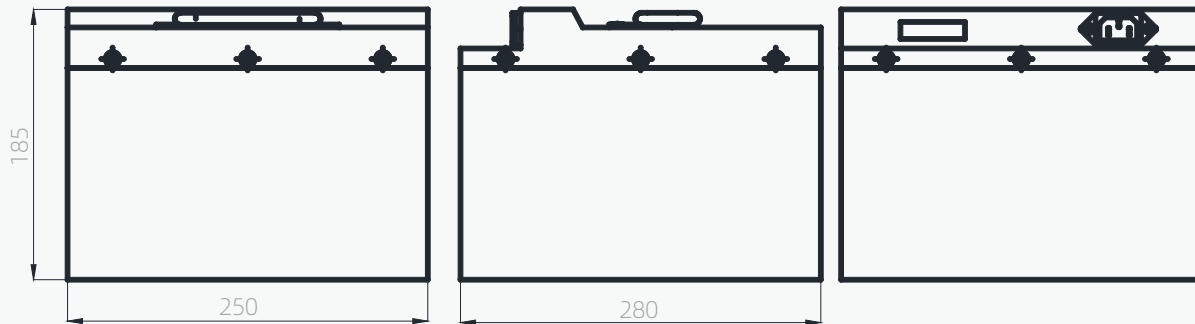
Specification

LiFePO ₄ Battery		Model: NPFW48-20	
Electrical Characteristics	Nominal Voltage	48V	
	Nominal Capacity	20Ah @0.2C	
	Energy	960Wh	
	Internal Resistance(AC)	120mΩ	
	Cycle Life	≥3,000@0.2C (100%DOD) ≥6,000@0.2C (80%DOD) ≥10,000@0.2C (50%DOD)	
	Monthly Self Discharge	≤ 2%	
	Protection Function	Over charge protection, Over discharge protection, Temperature protection, Short-circuit protection, Balanced function	
Standard Charge	Charge Voltage	54.8±0.2V	
	Charge Mode	CC/CV	
	Charge Current	5A	
	Max.Charge Current	10A	
Standard Discharge	Continues Current	20A	
	Max. Pulse Current	60A(≤3S)	100A(≤1S)
	Discharge Cut-off Voltage	37.5V	
Environmental	Charge Temperature	0°C-55°C	
	Discharge Temperature	-20°C-60°C	
	Storage Temperature	-20°C-45°C	
	IP Class	IP65	
Other parameters	Dimension(L*W*H)	(280±3) mm* (200±2)mm* (185±2)mm	
	Weight	12.0±0.5Kg	
	Material of case	<input type="checkbox"/> ABS plastic	<input checked="" type="checkbox"/> Metal
	Colour	<input checked="" type="checkbox"/> Black	<input type="checkbox"/> Gray
	Terminal	Pin plug	

NPFT48-28



Dimensions(mm)



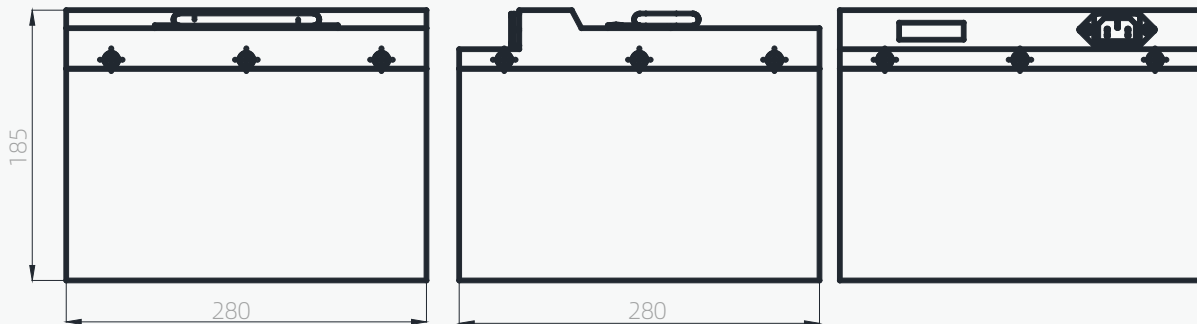
Specification

LiFePO ₄ Battery		Model: NPFW48-28	
Electrical Characteristics	Nominal Voltage	48V	
	Nominal Capacity	28Ah @0.2C	
	Energy	1344Wh	
	Internal Resistance(AC)	100mΩ	
	Cycle Life	≥3,000@0.2C (100%DOD) ≥6,000@0.2C (80%DOD) ≥10,000@0.2C (50%DOD)	
	Monthly Self Discharge	≤ 2%	
	Protection Function	Over charge protection, Over discharge protection, Temperature protection, Short-circuit protection, Balanced function	
Standard Charge	Charge Voltage	54.8±0.2V	
	Charge Mode	CC/CV	
	Charge Current	5A	
	Max.Charge Current	14A	
Standard Discharge	Continues Current	28A	
	Max. Pulse Current	60A(≤3S)	100A(≤1S)
	Discharge Cut-off Voltage	37.5V	
Environmental	Charge Temperature	0°C-55°C	
	Discharge Temperature	-20°C-60°C	
	Storage Temperature	-20°C-45°C	
	IP Class	IP65	
Other parameters	Dimension(L*W*H)	(280±3) mm* (250±2)mm* (185±2)mm	
	Weight	14.5±0.5Kg	
	Material of case	<input type="checkbox"/> ABS plastic	<input checked="" type="checkbox"/> Metal
	Colour	<input checked="" type="checkbox"/> Black	<input type="checkbox"/> Gray
	Terminal	Pin plug	

NPFT48-32



Dimensions(mm)



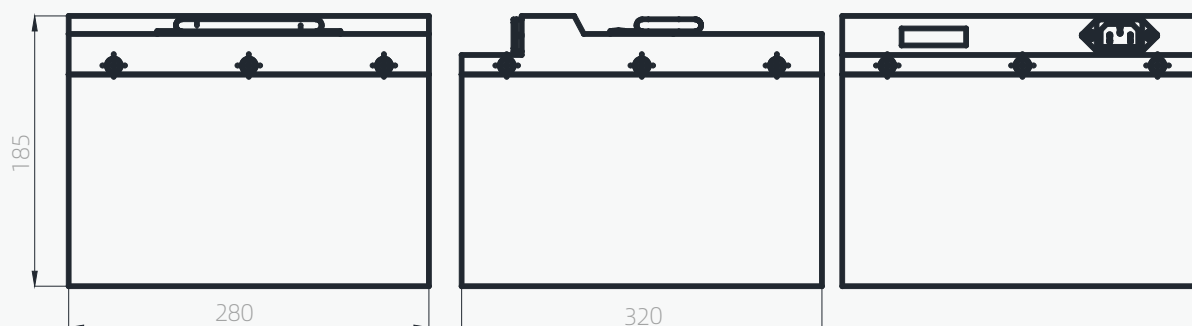
Specification

LiFePO ₄ Battery		Model: NPFW48-32	
Electrical Characteristics	Nominal Voltage	48V	
	Nominal Capacity	32Ah @0.2C	
	Energy	1536Wh	
	Internal Resistance(AC)	80mΩ	
	Cycle Life	≥3,000@0.2C (100%DOD) ≥6,000@0.2C (80%DOD) ≥10,000@0.2C (50%DOD)	
	Monthly Self Discharge	≤ 2%	
	Protection Function	Over charge protection, Over discharge protection, Temperature protection, Short-circuit protection, Balanced function	
Standard Charge	Charge Voltage	54.8±0.2V	
	Charge Mode	CC/CV	
	Charge Current	5A	
	Max.Charge Current	15A	
Standard Discharge	Continues Current	32A	
	Max. Pulse Current	60A(≤3S)	100A(≤1S)
	Discharge Cut-off Voltage	37.5V	
Environmental	Charge Temperature	0°C-55°C	
	Discharge Temperature	-20°C-60°C	
	Storage Temperature	-20°C-45°C	
	IP Class	IP65	
Other parameters	Dimension(L*W*H)	(280±3) mm*(280±2)mm* (185±2)mm	
	Weight	17.0±0.5Kg	
	Material of case	<input type="checkbox"/> ABS plastic	<input checked="" type="checkbox"/> Metal
	Colour	<input checked="" type="checkbox"/> Black	<input type="checkbox"/> Gray
	Terminal	Pin plug	

NPFT48-40



Dimensions(mm)



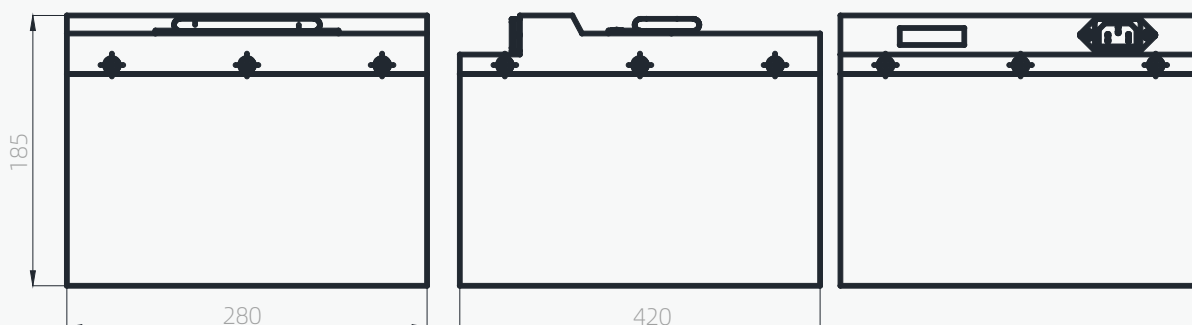
Specification

LiFePO ₄ Battery		Model: NPFW48-40	
Electrical Characteristics	Nominal Voltage	48V	
	Nominal Capacity	40Ah @0.2C	
	Energy	1920Wh	
	Internal Resistance(AC)	80mΩ	
	Cycle Life	≥3,000@0.2C (100%DOD) ≥6,000@0.2C (80%DOD) ≥10,000@0.2C (50%DOD)	
	Monthly Self Discharge	≤ 2%	
	Protection Function	Over charge protection, Over discharge protection, Temperature protection, Short-circuit protection, Balanced function	
Standard Charge	Charge Voltage	54.8±0.2V	
	Charge Mode	CC/CV	
	Charge Current	5A	
	Max.Charge Current	20A	
Standard Discharge	Continues Current	40A	
	Max. Pulse Current	100A(≤3S)	150A(≤1S)
	Discharge Cut-off Voltage	37.5V	
Environmental	Charge Temperature	0°C-55°C	
	Discharge Temperature	-20°C-60°C	
	Storage Temperature	-20°C-45°C	
	IP Class	IP65	
Other parameters	Dimension(L*W*H)	(320±3) mm*(280±2)mm* (185±2)mm	
	Weight	20.0±0.5Kg	
	Material of case	<input type="checkbox"/> ABS plastic	<input checked="" type="checkbox"/> Metal
	Colour	<input checked="" type="checkbox"/> Black	<input type="checkbox"/> Gray
	Terminal	Pin plug	

NPFT48-52



Dimensions(mm)



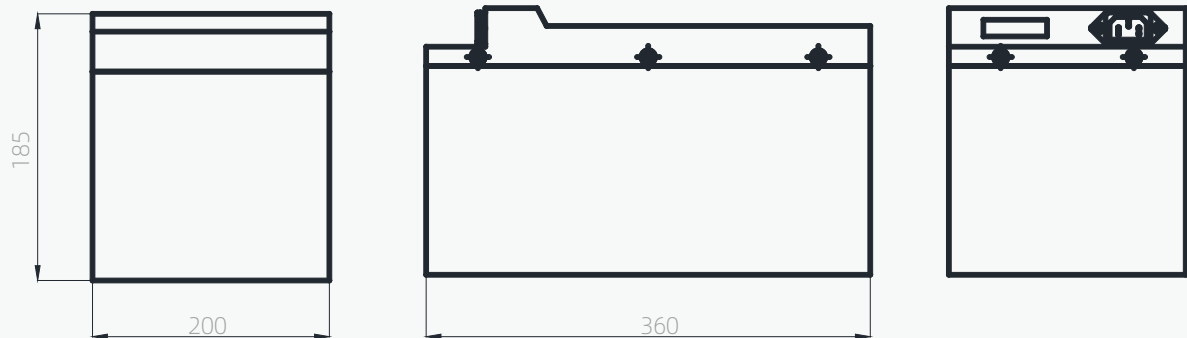
Specification

LiFePO ₄ Battery		Model: NPFW48-52	
Electrical Characteristics	Nominal Voltage	48V	
	Nominal Capacity	52Ah @0.2C	
	Energy	2496Wh	
	Internal Resistance(AC)	80mΩ	
	Cycle Life	≥3,000@0.2C (100%DOD) ≥6,000@0.2C (80%DOD) ≥10,000@0.2C (50%DOD)	
	Monthly Self Discharge	≤ 2%	
	Protection Function	Over charge protection, Over discharge protection, Temperature protection, Short-circuit protection, Balanced function	
Standard Charge	Charge Voltage	54.8±0.2V	
	Charge Mode	CC/CV	
	Charge Current	5A	
	Max.Charge Current	20A	
Standard Discharge	Continues Current	52A	
	Max. Pulse Current	100A(≤3S)	150A(≤1S)
	Discharge Cut-off Voltage	37.5V	
Environmental	Charge Temperature	0°C-55°C	
	Discharge Temperature	-20°C-60°C	
	Storage Temperature	-20°C-45°C	
	IP Class	IP65	
Other parameters	Dimension(L*W*H)	(420±3) mm*(280±2)mm* (185±2)mm	
	Weight	25.0±0.5Kg	
	Material of case	<input type="checkbox"/> ABS plastic	<input checked="" type="checkbox"/> Metal
	Colour	<input checked="" type="checkbox"/> Black	<input type="checkbox"/> Gray
	Terminal	Pin plug	

NPFT60-20



Dimensions(mm)



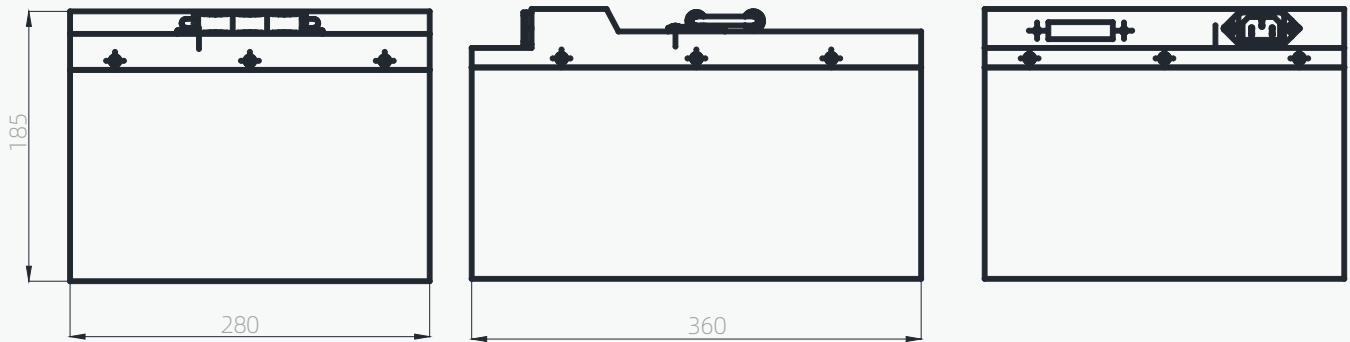
Specification

LiFePO ₄ Battery		Model: NPFW60-20	
Electrical Characteristics	Nominal Voltage	60V	
	Nominal Capacity	20Ah @0.2C	
	Energy	1200Wh	
	Internal Resistance(AC)	150mΩ	
	Cycle Life	≥3,000@0.2C (100%DOD) ≥6,000@0.2C (80%DOD) ≥10,000@0.2C (50%DOD)	
	Monthly Self Discharge	≤ 2%	
	Protection Function	Over charge protection, Over discharge protection, Temperature protection, Short-circuit protection, Balanced function	
Standard Charge	Charge Voltage	73±0.2V	
	Charge Mode	CC/CV	
	Charge Current	3A	
	Max.Charge Current	10A	
Standard Discharge	Continues Current	20A	
	Max. Pulse Current	60A(≤3S)	100A(≤1S)
	Discharge Cut-off Voltage	50V	
Environmental	Charge Temperature	0°C-55°C	
	Discharge Temperature	-20°C-60°C	
	Storage Temperature	-20°C-45°C	
	IP Class	IP65	
Other parameters	Dimension(L*W*H)	(360±3) mm*(200±2)mm* (185±2)mm	
	Weight	14.5±0.5Kg	
	Material of case	<input type="checkbox"/> ABS plastic	<input checked="" type="checkbox"/> Metal
	Colour	<input checked="" type="checkbox"/> Black	<input type="checkbox"/> Gray
	Terminal	Pin plug	

NPFT60-32



Dimensions(mm)



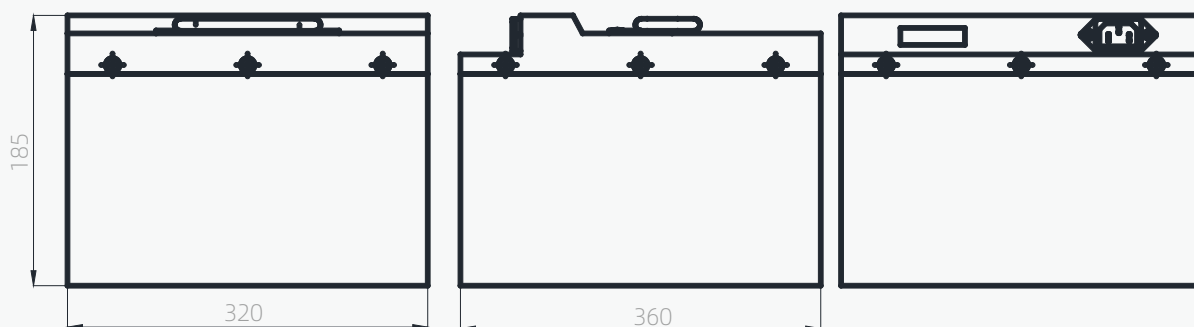
Specification

LiFePO ₄ Battery		Model: NPFW60-32	
Electrical Characteristics	Nominal Voltage	60V	
	Nominal Capacity	32Ah @0.2C	
	Energy	1920Wh	
	Internal Resistance(AC)	120mΩ	
	Cycle Life	≥3,000@0.2C (100%DOD) ≥6,000@0.2C (80%DOD) ≥10,000@0.2C (50%DOD)	
	Monthly Self Discharge	≤ 2%	
	Protection Function	Over charge protection, Over discharge protection, Temperature protection, Short-circuit protection, Balanced function	
Standard Charge	Charge Voltage	73±0.2V	
	Charge Mode	CC/CV	
	Charge Current	3A	
	Max.Charge Current	15A	
Standard Discharge	Continues Current	32A	
	Max. Pulse Current	60A(≤3S)	100A(≤1S)
	Discharge Cut-off Voltage	50V	
Environmental	Charge Temperature	0°C-55°C	
	Discharge Temperature	-20°C-60°C	
	Storage Temperature	-20°C-45°C	
	IP Class	IP65	
Other parameters	Dimension(L*W*H)	(360±3) mm*(280±2)mm* (185±2)mm	
	Weight	20.5±0.5Kg	
	Material of case	<input type="checkbox"/> ABS plastic	<input checked="" type="checkbox"/> Metal
	Colour	<input checked="" type="checkbox"/> Black	<input type="checkbox"/> Gray
	Terminal	Pin plug	

NPFT60-40



Dimensions(mm)



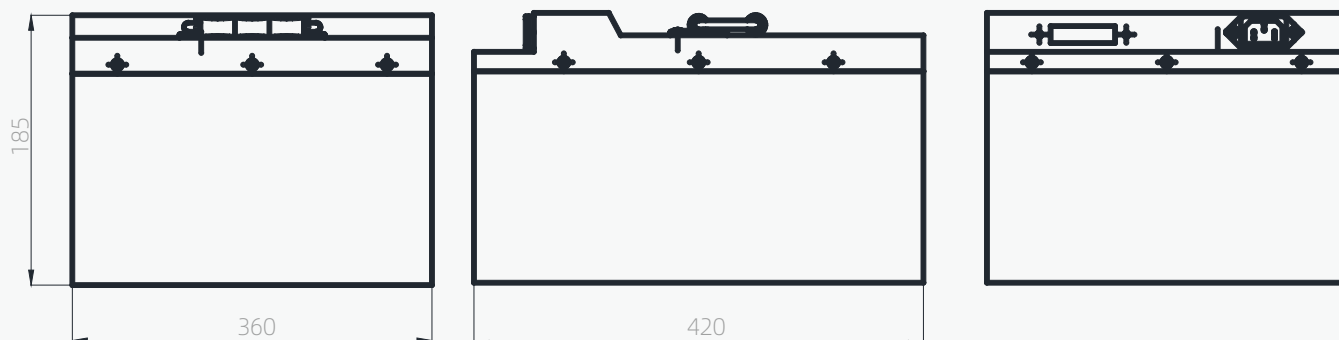
Specification

LiFePO ₄ Battery		Model: NPFW60-40	
Electrical Characteristics	Nominal Voltage	60V	
	Nominal Capacity	40Ah @0.2C	
	Energy	2400Wh	
	Internal Resistance(AC)	100mΩ	
	Cycle Life	≥3,000@0.2C (100%DOD) ≥6,000@0.2C (80%DOD) ≥10,000@0.2C (50%DOD)	
	Monthly Self Discharge	≤ 2%	
	Protection Function	Over charge protection, Over discharge protection, Temperature protection, Short-circuit protection, Balanced function	
Standard Charge	Charge Voltage	73±0.2V	
	Charge Mode	CC/CV	
	Charge Current	5A	
	Max.Charge Current	20A	
Standard Discharge	Continues Current	40A	
	Max. Pulse Current	100A(≤3S)	150A(≤1S)
	Discharge Cut-off Voltage	50V	
Environmental	Charge Temperature	0°C-55°C	
	Discharge Temperature	-20°C-60°C	
	Storage Temperature	-20°C-45°C	
	IP Class	IP65	
Other parameters	Dimension(L*W*H)	(360±3) mm*(320±2)mm* (186±2)mm	
	Weight	25.0±0.5Kg	
	Material of case	<input type="checkbox"/> ABS plastic	<input checked="" type="checkbox"/> Metal
	Colour	<input checked="" type="checkbox"/> Black	<input type="checkbox"/> Gray
	Terminal	Pin plug	

NPFT60-52



Dimensions(mm)



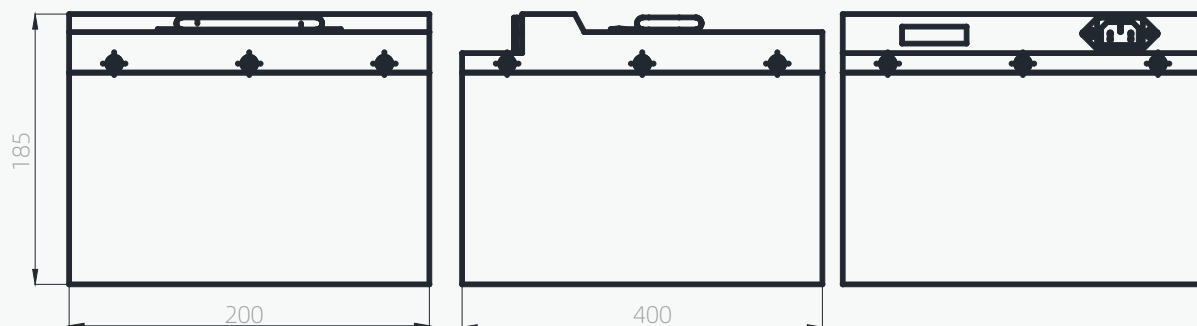
Specification

LiFePO ₄ Battery		Model: NPFW60-52	
Electrical Characteristics	Nominal Voltage	60V	
	Nominal Capacity	52Ah @0.2C	
	Energy	3120Wh	
	Internal Resistance(AC)	80mΩ	
	Cycle Life	≥3,000@0.2C (100%DOD) ≥6,000@0.2C (80%DOD) ≥10,000@0.2C (50%DOD)	
	Monthly Self Discharge	≤ 2%	
	Protection Function	Over charge protection, Over discharge protection, Temperature protection, Short-circuit protection, Balanced function	
Standard Charge	Charge Voltage	73±0.2V	
	Charge Mode	CC/CV	
	Charge Current	5A	
	Max.Charge Current	20A	
Standard Discharge	Continues Current	52A	
	Max. Pulse Current	100A(≤3S)	150A(≤1S)
	Discharge Cut-off Voltage	50V	
Environmental	Charge Temperature	0°C-55°C	
	Discharge Temperature	-20°C-60°C	
	Storage Temperature	-20°C-45°C	
	IP Class	IP65	
Other parameters	Dimension(L*W*H)	(420±3) mm*(360±2)mm* (185±2)mm	
	Weight	31.5±0.5Kg	
	Material of case	<input type="checkbox"/> ABS plastic	<input checked="" type="checkbox"/> Metal
	Colour	<input checked="" type="checkbox"/> Black	<input type="checkbox"/> Gray
	Terminal	Pin plug	

NPFT72-20



Dimensions(mm)



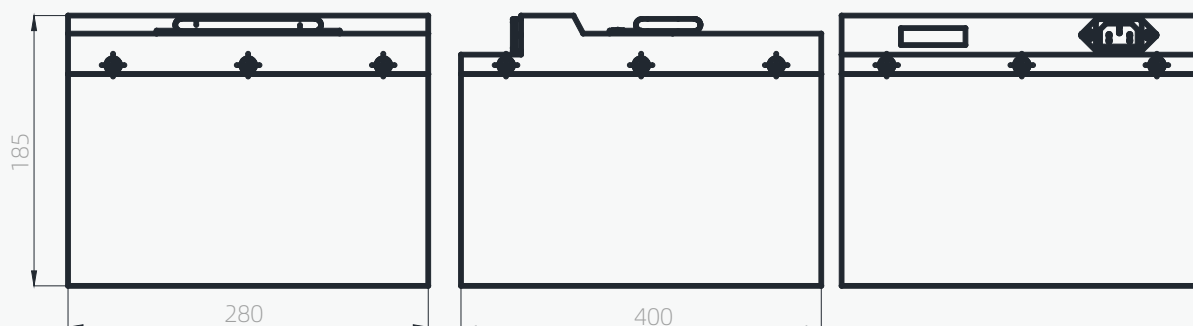
Specification

LiFePO ₄ Battery		Model: NPF72-20	
Electrical Characteristics	Nominal Voltage	72V	
	Nominal Capacity	20Ah @0.2C	
	Energy	1440Wh	
	Internal Resistance(AC)	150mΩ	
	Cycle Life	≥3,000@0.2C (100%DOD) ≥6,000@0.2C (80%DOD) ≥10,000@0.2C (50%DOD)	
	Monthly Self Discharge	≤ 2%	
	Protection Function	Over charge protection, Over discharge protection, Temperature protection, Short-circuit protection, Balanced function	
Standard Charge	Charge Voltage	87.6±0.2V	
	Charge Mode	CC/CV	
	Charge Current	3A	
	Max.Charge Current	10A	
Standard Discharge	Continues Current	20A	
	Max. Pulse Current	60A(≤3S)	100A(≤1S)
	Discharge Cut-off Voltage	60V	
Environmental	Charge Temperature	0°C-55°C	
	Discharge Temperature	-20°C-60°C	
	Storage Temperature	-20°C-45°C	
	IP Class	IP65	
Other parameters	Dimension(L*W*H)	(400±3) mm*(200±2)mm* (185±2)mm	
	Weight	16.5±0.5Kg	
	Material of case	<input type="checkbox"/> ABS plastic	<input checked="" type="checkbox"/> Metal
	Colour	<input checked="" type="checkbox"/> Black	<input type="checkbox"/> Gray
	Terminal	Pin plug	

NPFT72-32



Dimensions(mm)



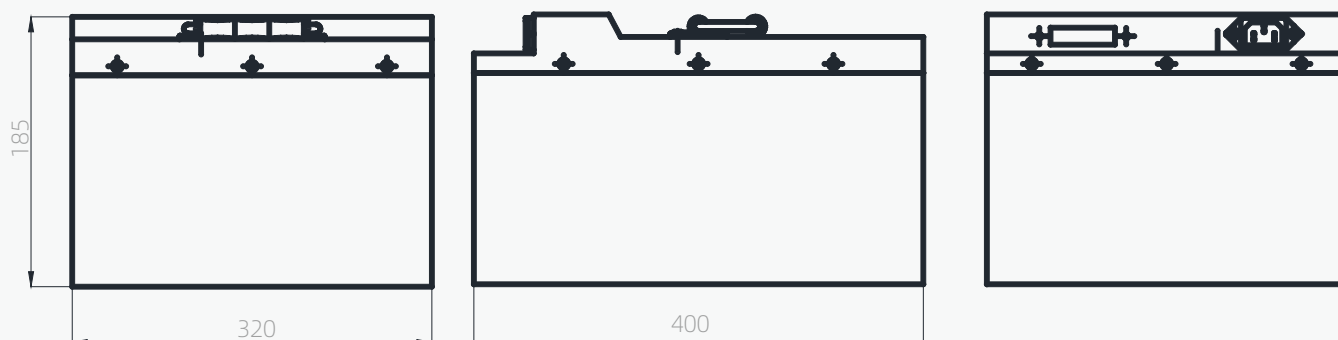
Specification

LiFePO ₄ Battery		Model: NPF72-32	
Electrical Characteristics	Nominal Voltage	72V	
	Nominal Capacity	32Ah @0.2C	
	Energy	2304Wh	
	Internal Resistance(AC)	120mΩ	
	Cycle Life	≥3,000@0.2C (100%DOD) ≥6,000@0.2C (80%DOD) ≥10,000@0.2C (50%DOD)	
	Monthly Self Discharge	≤ 2%	
	Protection Function	Over charge protection, Over discharge protection, Temperature protection, Short-circuit protection, Balanced function	
Standard Charge	Charge Voltage	87.6±0.2V	
	Charge Mode	CC/CV	
	Charge Current	5A	
	Max.Charge Current	15A	
Standard Discharge	Continues Current	32A	
	Max. Pulse Current	60A(≤3S)	100A(≤1S)
	Discharge Cut-off Voltage	60V	
Environmental	Charge Temperature	0°C-55°C	
	Discharge Temperature	-20°C-60°C	
	Storage Temperature	-20°C-45°C	
	IP Class	IP65	
Other parameters	Dimension(L*W*H)	(400±3) mm*(280±2)mm* (185±2)mm	
	Weight	24.0±0.5Kg	
	Material of case	<input type="checkbox"/> ABS plastic	<input checked="" type="checkbox"/> Metal
	Colour	<input checked="" type="checkbox"/> Black	<input type="checkbox"/> Gray
	Terminal	Pin plug	

NPFT72-40



Dimensions(mm)



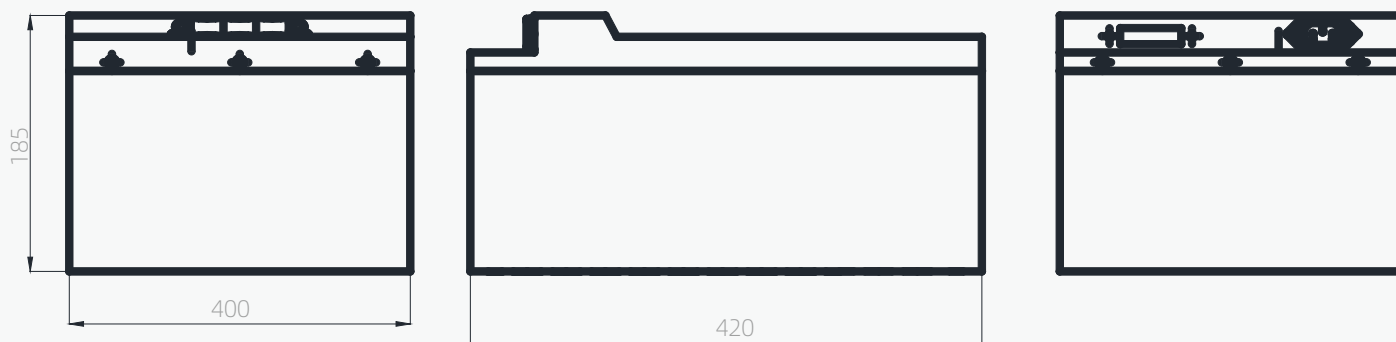
Specification

LiFePO ₄ Battery		Model: NPF72-40	
Electrical Characteristics	Nominal Voltage	72V	
	Nominal Capacity	40Ah @0.2C	
	Energy	2880Wh	
	Internal Resistance(AC)	100mΩ	
	Cycle Life	≥3,000@0.2C (100%DOD) ≥6,000@0.2C (80%DOD) ≥10,000@0.2C (50%DOD)	
	Monthly Self Discharge	≤ 2%	
	Protection Function	Over charge protection, Over discharge protection, Temperature protection, Short-circuit protection, Balanced function	
Standard Charge	Charge Voltage	87.6±0.2V	
	Charge Mode	CC/CV	
	Charge Current	5A	
	Max.Charge Current	20A	
Standard Discharge	Continues Current	40A	
	Max. Pulse Current	100A(≤3S)	150A(≤1S)
	Discharge Cut-off Voltage	60V	
Environmental	Charge Temperature	0°C-55°C	
	Discharge Temperature	-20°C-60°C	
	Storage Temperature	-20°C-45°C	
	IP Class	IP65	
Other parameters	Dimension(L*W*H)	(400±3) mm*(320±2)mm* (185±2)mm	
	Weight	28.0±0.5Kg	
	Material of case	<input type="checkbox"/> ABS plastic	<input checked="" type="checkbox"/> Metal
	Colour	<input checked="" type="checkbox"/> Black	<input type="checkbox"/> Gray
	Terminal	Pin plug	

NPFT72-52



Dimensions(mm)



Specification

LiFePO ₄ Battery		Model: NPF72-52	
Electrical Characteristics	Nominal Voltage	72V	
	Nominal Capacity	52Ah @0.2C	
	Energy	3744Wh	
	Internal Resistance(AC)	80mΩ	
	Cycle Life	≥3,000@0.2C (100%DOD) ≥6,000@0.2C (80%DOD) ≥10,000@0.2C (50%DOD)	
	Monthly Self Discharge	≤ 2%	
	Protection Function	Over charge protection, Over discharge protection, Temperature protection, Short-circuit protection, Balanced function	
Standard Charge	Charge Voltage	87.6±0.2V	
	Charge Mode	CC/CV	
	Charge Current	5A	
	Max.Charge Current	20A	
Standard Discharge	Continues Current	52A	
	Max. Pulse Current	100A(≤3S)	150A(≤1S)
	Discharge Cut-off Voltage	60V	
Environmental	Charge Temperature	0°C-55°C	
	Discharge Temperature	-20°C-60°C	
	Storage Temperature	-20°C-45°C	
	IP Class	IP65	
Other parameters	Dimension(L*W*H)	(420±3) mm*(400±2)mm* (185±2)mm	
	Weight	38.0±0.5Kg	
	Material of case	<input type="checkbox"/> ABS plastic	<input checked="" type="checkbox"/> Metal
	Colour	<input checked="" type="checkbox"/> Black	<input type="checkbox"/> Gray
	Terminal	Pin plug	