

Professional lithium battery manufacturer



# Special for electric wheelchair

## LiFePO<sub>4</sub> Battery



Shandong **NewPowerNewEnergy** Technology Co., Ltd.

**NPNE** is a professional manufacturer of lithium iron phosphate battery PACK. We focus on all aspects of production, from supplier selection, product design, to module production, to battery pack assembly, testing and so on. And ensure product traceability. NPFW series are 24V series lithium iron phosphate batteries. Suitable for Electric wheelchair instead of lead acid.

Tel: 0632-8671908 Mail: lester@npnebattery.com Web: www.npnebattery.com

### Features

#### Longer Cycle Life:

Compared with lead-acid battery, the cycle life of 8-year battery is 6 times longer.

#### With bluetooth:

It has the function of communication and can connect the mobile phone with Bluetooth. (conventional products do not include Bluetooth)

#### Environment friendly:

LiFePO<sub>4</sub> battery does not contain any toxic or harmful substances, and is environmentally friendly in both production and use. Now it is widely accepted by more and more people.

#### Higher Power:

Delivers twice power of lead acid battery, even higher discharge rate. Also can sustain higher charge current and shorten the charge time.

#### Direct replacement of lead acid batteries:

If the original battery voltage is 24V series, it can be directly replaced, and the charger needs to use professional lithium iron phosphate battery charger.

#### Lighter weight:

It is equivalent to 40% of the weight of lead-acid battery, which is convenient for handling, taking and placing.

#### Super safety:

The olivine structure of lithium iron phosphate material is eliminated fundamentally the risk of explosion or combustion due to high impact, overcharged or short circuit situation. Besides, BMS protection ensures safe and efficient operation.

#### Support custom:

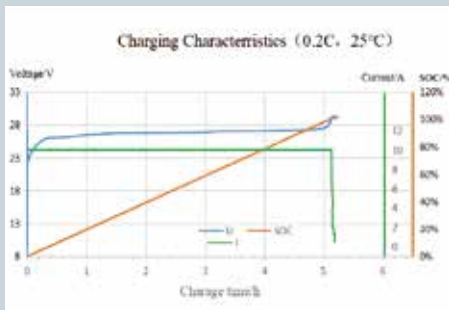
If you have other requirements, such as color, size, heating function, GPS, etc., we will provide a more professional services.



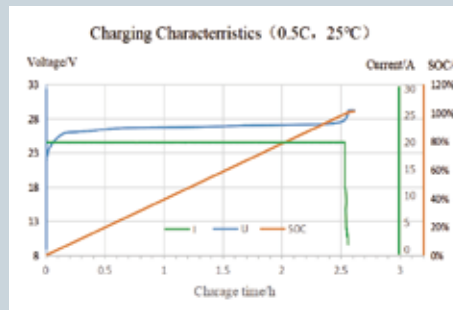
## Product parameter list

Model	Voltage (V)	Capacity (Ah)	Charge Current (A)	Mileage (Km)	Dimensions (mm)	Weight (Kg)
NPFW24-12	25.6	12	< 6	14	240*114*195	3.5
NPFW24-16	25.6	16	< 6	17	240*114*195	4.0
NPFW24-20	25.6	20	< 6	22	240*114*195	4.8
NPFW24-24	25.6	24	< 6	25	240*114*195	5.5
NPFW24-28	25.6	28	< 6	30	210*160*210	6.5
NPFW24-32	25.6	32	< 6	33	210*160*210	7.2
NPFW24-36	25.6	36	< 6	38	210*160*210	8.0

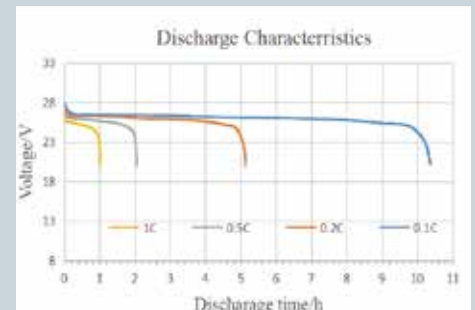
## Technical characteristic curve



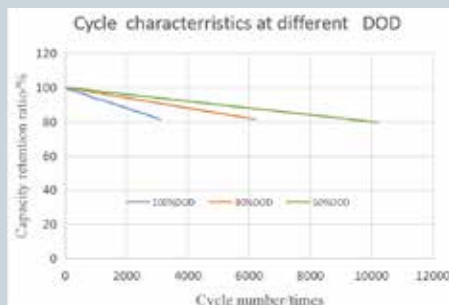
Charging characteristic 0.2C



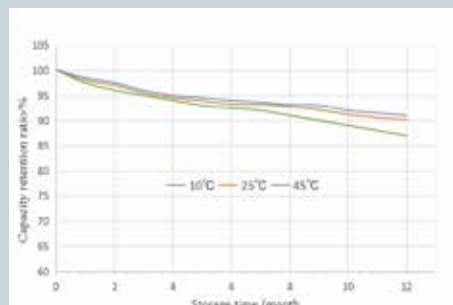
Charging characteristic 0.5C



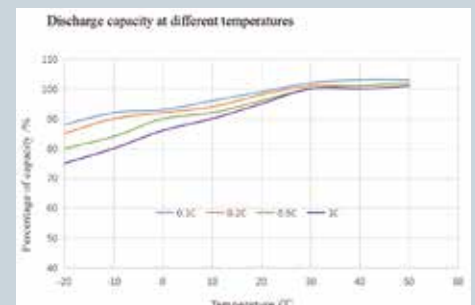
Discharge characteristics



Cycle performance



Self-discharge characteristics

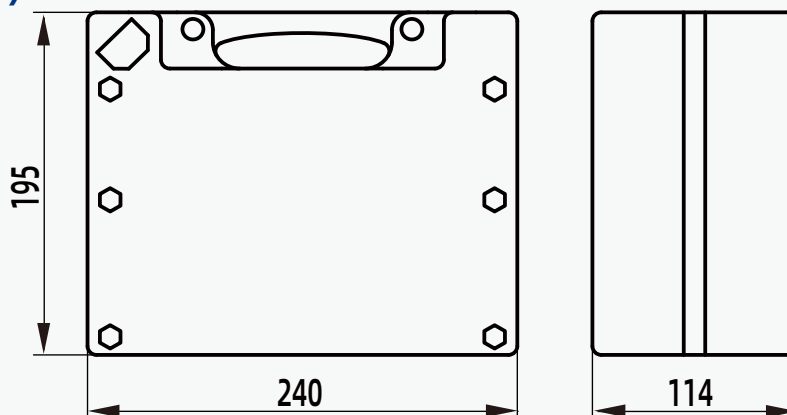


Different temperature capacity

# NPFW24 (Capacity12-24Ah)



## Dimensions(mm)



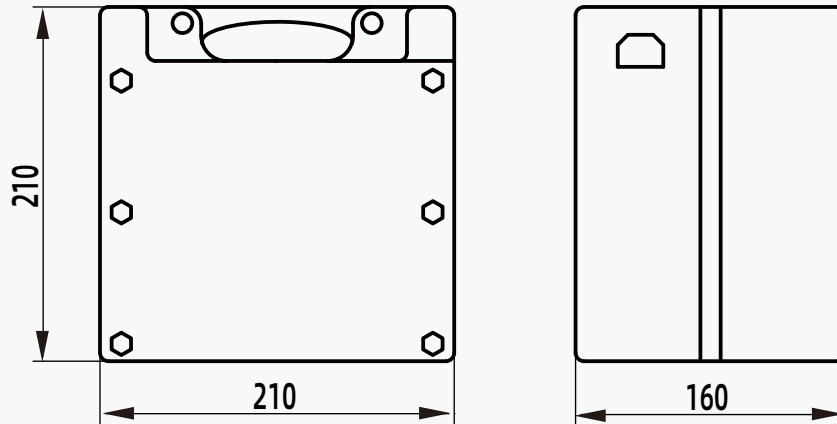
## Specification

LiFePO <sub>4</sub> Battery		Model: NPFW24 (Capacity12-24Ah)	
Electrical Characteristics	Nominal Voltage	25.6V	
	Nominal Capacity	12/16/20/24Ah @0.2C	
	Energy	(302-604)Wh	
	Internal Resistance(AC)	< 80mΩ	
	Cycle Life	≥3,000@0.2C (100%DOD) ≥6,000@0.2C (80%DOD) ≥10,000@0.2C (50%DOD)	
	Monthly Self Discharge	≤ 2%	
	Protection Function	Over charge protection, Over discharge protection, Temperature protection, Short-circuit protection, Balanced function	
Standard Charge	Charge Voltage	25.6±0.2V	
	Charge Mode	CC/CV	
	Charge Current	3A	
	Max.Charge Current	6A	
Standard Discharge	Continues Current	20A	
	Max. Pulse Current	80A(≤1S)	
	Discharge Cut-off Voltage	20V	
Environmental	Charge Temperature	0°C-55°C	
	Discharge Temperature	-20°C-60°C	
	Storage Temperature	-20°C-45°C	
	IP Class	IP64	
Other parameters	Dimension(L*W*H)	(240±3) mm* (114±2)mm* (195±2)mm	
	Weight	3.5/4.0/4.8/5.5±0.1Kg	
	Material of case	<input checked="" type="checkbox"/> ABS plastic	<input type="checkbox"/> Metal
	Colour	<input checked="" type="checkbox"/> Black	<input type="checkbox"/> Gray
	Terminal	Discharge: Anderson/ GX20 aviation plug; Charge: pin plug	

# NPFW24 (Capacity28-36Ah)



## Dimensions(mm)



## Specification

LiFePO <sub>4</sub> Battery		Model: NPFW24 (Capacity28-36Ah)	
Electrical Characteristics	Nominal Voltage	25.6V	
	Nominal Capacity	(28-36) Ah @0.2C	
	Energy	(705-907) Wh	
	Internal Resistance(AC)	< 50mΩ	
	Cycle Life	≥3,000@0.2C (100%DOD) ≥6,000@0.2C (80%DOD) ≥10,000@0.2C (50%DOD)	
	Monthly Self Discharge	≤ 2%	
	Protection Function	Over charge protection, Over discharge protection, Temperature protection, Short-circuit protection, Balanced function	
Standard Charge	Charge Voltage	25.6±0.2V	
	Charge Mode	CC/CV	
	Charge Current	5A	
	Max.Charge Current	6A	
Standard Discharge	Continues Current	30A	
	Max. Pulse Current	150A(≤3S)	
	Discharge Cut-off Voltage	20V	
Environmental	Charge Temperature	0°C-55°C	
	Discharge Temperature	-20°C-60°C	
	Storage Temperature	-20°C-45°C	
	IP Class	IP64	
Other parameters	Dimension(L*W*H)	(210±3) mm* (160±2)mm* (210±2)mm	
	Weight	6.5/7.2/8.0±0.1Kg	
	Material of case	<input checked="" type="checkbox"/> ABS plastic	<input type="checkbox"/> Metal
	Colour	<input checked="" type="checkbox"/> Black	<input type="checkbox"/> Gray
	Terminal	Discharge: An derson/ GX20 aviation plug; Charge: pin plug	